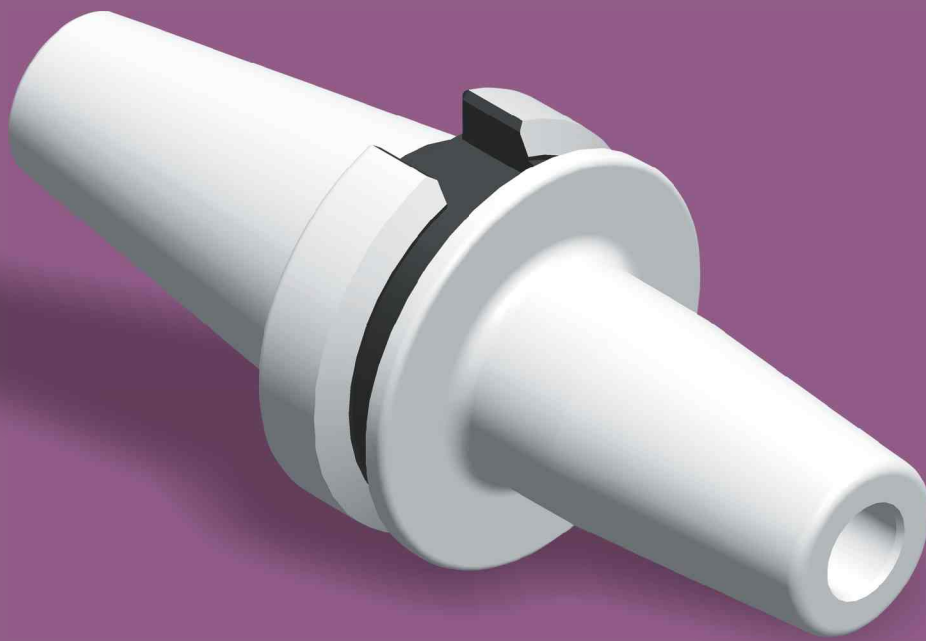




Speed of INNOVATIONS,  
Feed of EXPERTISE

# Shrink Fit Tool Holders

SHRINK FIT TOOL HOLDERS



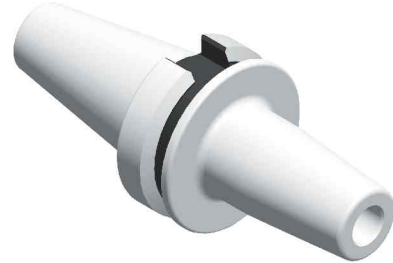
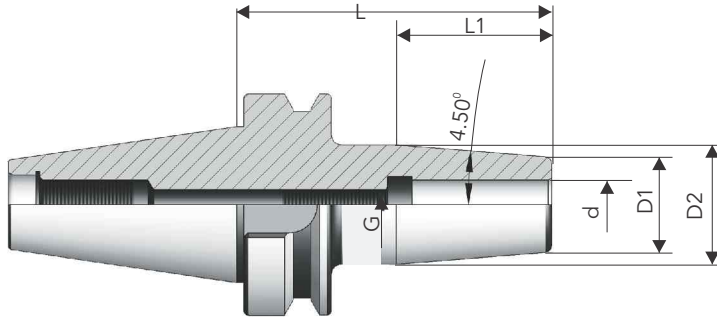
# Shrink Fit Tool Holders

## Contents

BT - Shrink Fit Holder .....	161-162
HSK - Shrink Fit Holder .....	163-164
SK - Shrink Fit Holder .....	165
CAT - Shrink Fit Holder .....	166
Shrink Fit - Cylindrical Extension .....	167

# Shrink Fit Tool Holders

BT MAS 403 (JIS B 6339)



Taper	Ordering Code	d	D1	D2	L	L1	G	Wt. in Kgs.
40	BT40SFA06.90	6	21	27	90	36	M5	1.2
	BT40SFA06.130	6	21	27	130	36	M5	1.4
	BT40SFA08.90	8	21	27	90	36	M6	1.2
	BT40SFA08.130	8	21	27	130	36	M6	1.4
	BT40SFA10.90	10	24	32	90	42	M8	1.3
	BT40SFA10.130	10	24	32	130	42	M8	1.5
	BT40SFA12.90	12	24	32	90	47	M10	1.5
	BT40SFA12.130	12	24	32	130	47	M10	1.5
	BT40SFA14.90	14	27	34	90	47	M10	1.2
	BT40SFA14.130	14	27	34	130	47	M10	1.5
	BT40SFA16.90	16	27	34	90	50	M12	1.2
	BT40SFA16.130	16	27	34	130	50	M12	1.5
	BT40SFA20.90	20	33	42	90	52	M16	1.3
	BT40SFA20.120	20	33	42	120	52	M16	1.7
	BT40SFA25.100	25	44	53	100	58	M16	1.8
BT40SFA25.130	25	44	53	130	58	M16	2.2	

Note : Special Designs and Sizes are Available on Request

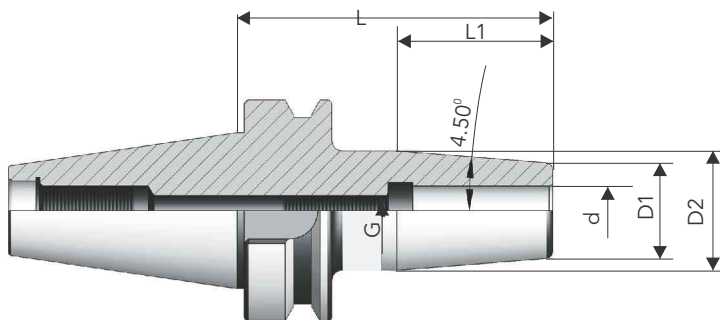
## Accessories



Pull Stud  
(Pg No. 175)

# Shrink Fit Tool Holders

BT MAS 403 (JIS B 6339)



Taper	Ordering Code	d	D1	D2	L	L1	G	Wt. in Kgs.
50	BT50SFA06.100	6	21	27	100	36	M5	3.8
	BT50SFA06.130	6	21	27	130	36	M5	3.9
	BT50SFA08.100	8	21	27	100	36	M6	3.8
	BT50SFA08.130	8	21	27	130	36	M6	3.9
	BT50SFA10.100	10	24	32	100	42	M8	3.9
	BT50SFA10.130	10	24	32	130	42	M8	3.9
	BT50SFA12.100	12	24	32	100	47	M10	3.9
	BT50SFA12.130	12	24	32	130	47	M10	4.0
	BT50SFA14.100	14	27	34	100	47	M10	3.9
	BT50SFA14.130	14	27	34	130	47	M10	4.1
	BT50SFA16.100	16	27	34	100	50	M12	3.8
	BT50SFA16.130	16	27	34	130	50	M12	4.0
	BT50SFA20.100	20	33	42	100	52	M16	3.9
	BT50SFA20.130	20	33	42	130	52	M16	4.2
	BT50SFA25.100	25	44	53	100	58	M16	4.2
	BT50SFA25.130	25	44	53	130	58	M16	4.7
	BT50SFA32.100	32	44	53	100	58	M16	4.0
BT50SFA32.130	32	44	53	130	58	M16	4.5	

Note : Special Designs and Sizes are Available on Request

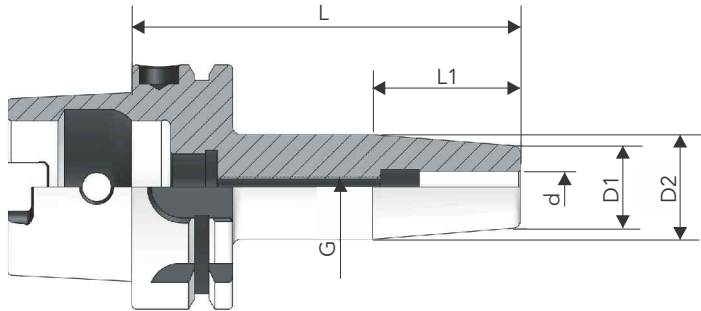
## Accessories



Pull Stud  
(Pg No. 175)

# Shrink Fit Tool Holders

DIN - 69893 HSK-A



Taper	Ordering Code	d	D1	D2	L	L1	G	Wt. in Kgs.
HSKA 50	HSKA50SFA06.80	6	21	27	80	36	M5	0.6
	HSKA50SFA08.80	8	21	27	80	36	M6	0.6
	HSKA50SFA10.85	10	24	32	85	42	M8	0.64
	HSKA50SFA12.90	12	24	32	90	47	M10	0.66
	HSKA50SFA14.90	14	27	34	90	47	M10	0.68
	HSKA50SFA16.95	16	27	34	95	50	M12	0.7
	HSKA50SFA20.100	20	33	42	100	52	M16	0.9
HSKA 63	HSKA63SFA06.80	6	21	27	80	36	M5	0.83
	HSKA63SFA06.130	6	21	27	130	36	M5	1.1
	HSKA63SFA08.80	8	21	27	80	36	M6	0.83
	HSKA63SFA08.130	8	21	27	130	36	M6	1.1
	HSKA63SFA10.85	10	24	32	85	42	M8	0.92
	HSKA63SFA10.130	10	24	32	130	42	M8	1.2
	HSKA63SFA12.90	12	24	32	90	47	M10	0.92
	HSKA63SFA12.130	12	24	32	130	47	M10	1.2
	HSKA63SFA14.90	14	27	34	90	47	M10	0.93
	HSKA63SFA14.130	14	27	34	130	47	M10	1.3
	HSKA63SFA16.95	16	27	34	95	50	M12	0.96
	HSKA63SFA16.130	16	27	34	130	50	M12	1.2
	HSKA63SFA20.100	20	33	42	100	52	M16	1.18
	HSKA63SFA20.130	20	33	42	130	52	M16	1.5
	HSKA63SFA25.115	25	44	53	115	58	M16	1.75
	HSKA63SFA25.130	25	44	53	160	58	M16	2.4
	HSKA63SFA32.120	32	44	53	120	58	M16	1.8
HSKA63SFA32.160	32	44	53	160	58	M16	2.3	

## Accessories



Coolant Tube  
(Pg No. 174)

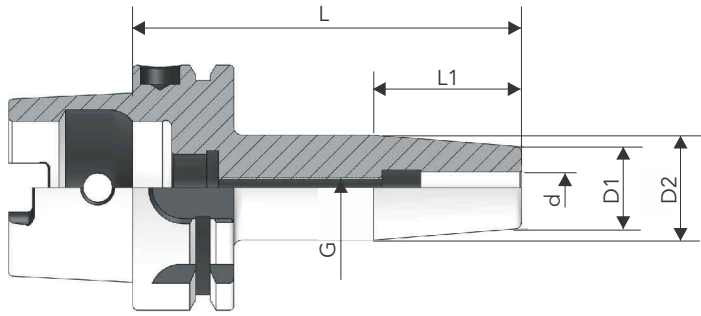


Coolant Tube Spanner  
(Pg No. 174)

Note : Special Designs and Sizes are Available on Request  
Coolant Tube and Coolant Tube Spanner order Separately

# Shrink Fit Tool Holders

DIN - 69893 HSK-A



Taper	Ordering Code	d	D	D1	L	L1	G	Wt. in Kgs.
HSKA 100	HSKA100SFA06.85	6	21	27	85	36	M5	2.2
	HSKA100SFA06.130	6	21	27	130	36	M5	2.4
	HSKA100SFA08.85	8	21	27	85	36	M6	2.2
	HSKA100SFA08.130	8	21	27	130	36	M6	2.4
	HSKA100SFA10.90	10	24	32	90	42	M8	2.3
	HSKA100SFA10.130	10	24	32	130	42	M8	2.5
	HSKA100SFA12.95	12	24	32	95	47	M10	2.3
	HSKA100SFA12.130	12	24	32	130	47	M10	2.5
	HSKA100SFA14.95	14	27	34	95	47	M10	2.3
	HSKA100SFA16.100	16	27	34	100	50	M12	2.4
	HSKA100SFA16.130	16	27	34	130	50	M12	2.6
	HSKA100SFA20.105	20	33	42	105	52	M16	2.5
	HSKA100SFA20.130	20	33	42	130	52	M16	2.8
	HSKA100SFA25.115	25	44	53	115	58	M16	3
	HSKA100SFA25.160	25	44	53	160	58	M16	3.7
	HSKA100SFA32.120	32	44	53	120	58	M16	3
HSKA100SFA32.160	32	44	53	160	58	M16	3.6	

Note : Special Designs and Sizes are Available on Request  
Coolant Tube and Coolant Tube Spanner order Separately

## Accessories



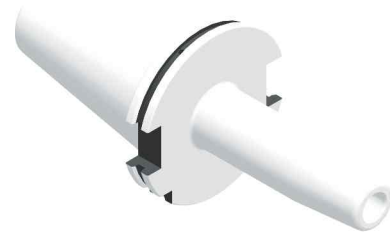
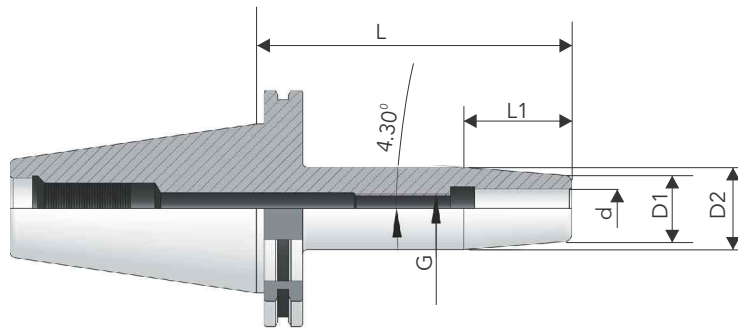
Coolant Tube  
(Pg No. 174)



Coolant Tube Spanner  
(Pg No. 174)

# Shrink Fit Tool Holders

SK / DIN - 69871



Taper	Ordering Code	d	D1	D2	L	L1	G	Wt. in Kgs.
SK40	SK40SFA06.80	6	21	27	80	36	M5	1.0
	SK40SFA06.130	6	21	27	130	36	M5	1.2
	SK40SFA08.80	8	21	27	80	36	M6	1.0
	SK40SFA08.130	8	21	27	130	36	M6	1.2
	SK40SFA10.80	10	24	32	80	42	M8	1.0
	SK40SFA10.130	10	24	32	130	42	M8	1.3
	SK40SFA12.80	12	24	32	80	47	M10	1.0
	SK40SFA12.130	12	24	32	130	47	M10	1.3
	SK40SFA14.80	14	27	34	80	47	M10	1.1
	SK40SFA14.130	14	27	34	130	47	M10	1.4
	SK40SFA16.80	16	27	34	80	50	M12	1.0
	SK40SFA16.130	16	27	34	130	50	M12	1.3
	SK40SFA20.80	20	33	42	80	52	M16	1.1
	SK40SFA20.130	20	33	42	130	52	M16	1.6
	SK40SFA25.100	25	44	53	100	58	M16	1.7
	SK40SFA25.130	25	44	53	130	58	M16	2.2
SK50	SK50SFA06.80	6	21	27	80	36	M5	2.8
	SK50SFA06.130	6	21	27	130	36	M5	3.0
	SK50SFA08.80	8	21	27	80	36	M6	2.8
	SK50SFA08.130	8	21	27	130	36	M6	3.0
	SK50SFA10.80	10	24	32	80	42	M8	2.8
	SK50SFA10.130	10	24	32	130	42	M8	3.1
	SK50SFA12.80	12	24	32	80	47	M10	2.8
	SK50SFA12.130	12	24	32	130	47	M10	3.0
	SK50SFA14.80	14	27	34	80	47	M10	2.8
	SK50SFA14.130	14	27	34	130	47	M10	3.2
	SK50SFA16.80	16	27	34	80	50	M12	2.8
	SK50SFA16.130	16	27	34	130	50	M12	2.4
	SK50SFA20.80	20	33	42	80	52	M16	2.9
	SK50SFA20.130	20	33	42	130	52	M16	3.3
	SK50SFA25.100	25	44	53	100	58	M16	3.5
	SK50SFA25.130	25	44	53	130	58	M16	4.0
SK50SFA32.100	32	44	53	100	58	M16	3.4	
SK50SFA32.130	32	44	53	130	58	M16	3.8	

## Accessories

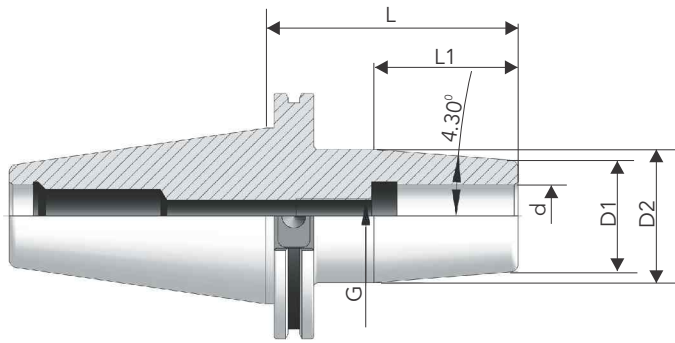


Pull Stud  
(Pg No. 175)



# Shrink Fit Tool Holders

CAT / ANSI B5.50



Taper	Ordering Code	d	D1	D2	L	L1	G	Wt. in Kgs.
40	CAT40SFA06.80	6	21	27	80	36	M5	1.0
	CAT40SFA06.130	6	21	27	130	36	M5	1.2
	CAT40SFA08.80	8	21	27	80	36	M6	1.0
	CAT40SFA08.130	8	21	27	130	36	M6	1.2
	CAT40SFA10.80	10	24	32	80	42	M8	1.0
	CAT40SFA10.130	10	24	32	130	42	M8	1.3
	CAT40SFA12.80	12	24	32	80	47	M10	1.0
	CAT40SFA12.130	12	24	32	130	47	M10	1.3
	CAT40SFA14.80	14	27	34	80	47	M10	1.1
	CAT40SFA14.130	14	27	34	130	47	M10	1.4
	CAT40SFA16.80	16	27	34	80	50	M12	1.0
	CAT40SFA16.130	16	27	34	130	50	M12	1.3
	CAT40SFA20.80	20	33	42	80	52	M16	1.1
	CAT40SFA20.130	20	33	42	130	52	M16	1.6
50	CAT40SFA25.100	25	44	53	100	58	M16	1.7
	CAT40SFA25.130	25	44	53	130	58	M16	2.2
	CAT50SFA06.80	6	21	27	80	36	M5	2.8
	CAT50SFA06.130	6	21	27	130	36	M5	3.0
	CAT50SFA08.80	8	21	27	80	36	M6	2.8
	CAT50SFA08.130	8	21	27	130	36	M6	3.0
	CAT50SFA10.80	10	24	32	80	42	M8	2.8
	CAT50SFA10.130	10	24	32	130	42	M8	3.1
	CAT50SFA12.80	12	24	32	80	47	M10	2.8
	CAT50SFA12.130	12	24	32	130	47	M10	3.0
	CAT50SFA14.80	14	27	34	80	47	M10	2.8
	CAT50SFA14.130	14	27	34	130	47	M10	3.2
	CAT50SFA16.80	16	27	34	80	50	M12	2.8
	CAT50SFA16.130	16	27	34	130	50	M12	2.4
	CAT50SFA20.80	20	33	42	80	52	M16	2.9
	CAT50SFA20.130	20	33	42	130	52	M16	3.3
	CAT50SFA25.100	25	44	53	100	58	M16	3.5
	CAT50SFA25.130	25	44	53	130	58	M16	4.0
CAT50SFA32.100	32	44	53	100	58	M16	3.4	
CAT50SFA32.130	32	44	53	130	58	M16	3.8	

Note : Special Designs and Sizes are Available on Request

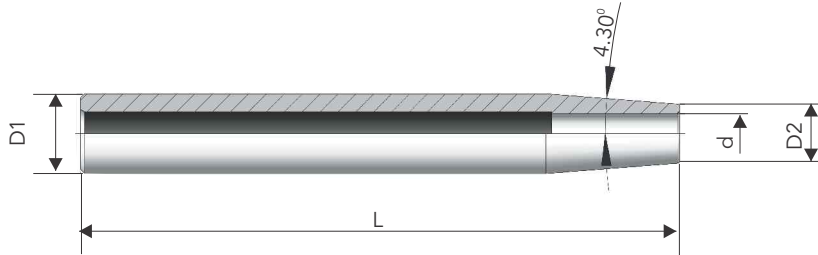
## Accessories



Pull Stud  
(Pg No. 175)

# Shrink Fit Tool Holders

## Shrink Fit - Cylindrical Extension



Ordering Code	d	D1	D2	L	Wt. in Kgs.
SFCE06.160	6	16	10	160	0.2
SFCE08.160	8	16	14	160	0.2
SFCE06.160	6	20	14	160	0.3
SFCE08.160	8	20	14	160	0.3
SFCE10.160	10	20	16	160	0.3
SFCE06.160	6	25	14	160	0.4
SFCE08.160	8	25	19	160	0.5
SFCE10.160	10	25	20	160	0.5
SFCE12.160	12	25	20	160	0.5
SFCE14.160	14	25	20	160	0.5
SFCE16.160	16	25	22	160	0.3
SFCE10.160	10	32	27	160	0.9
SFCE12.160	12	32	27	160	0.8
SFCE14.160	14	32	27	160	0.8
SFCE16.160	16	32	27	160	0.7
SFCE20.160	20	32	27	160	0.6

Note : Special Designs and Sizes are Available on Request



An ISO 9001-2008 and ISO 14001-2004 Company

[www.sigmatoolings.com](http://www.sigmatoolings.com)