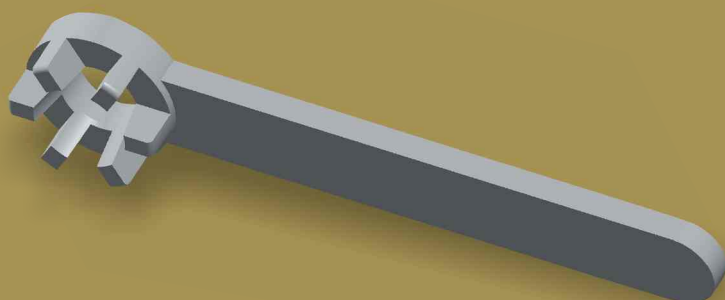
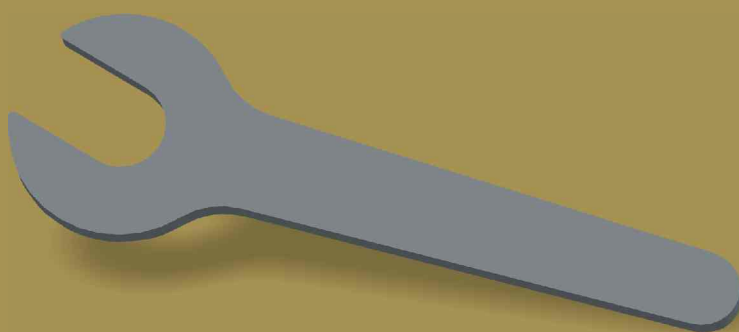
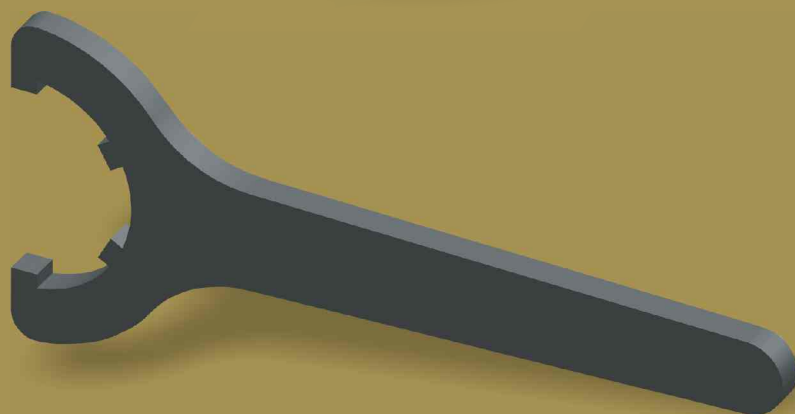
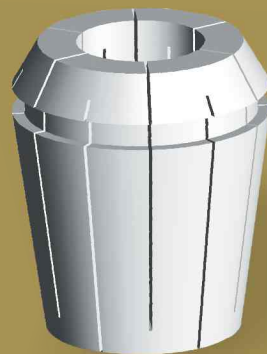


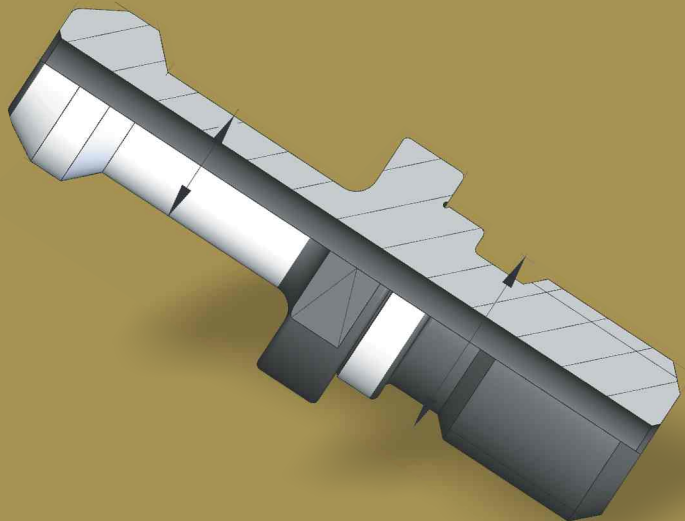
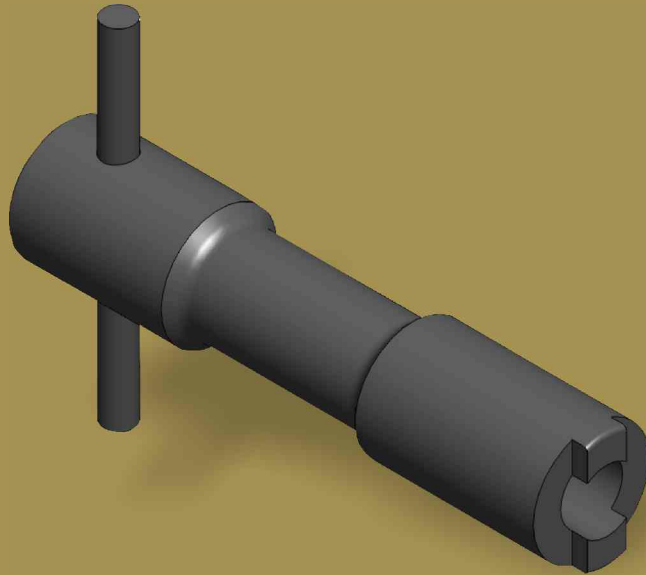
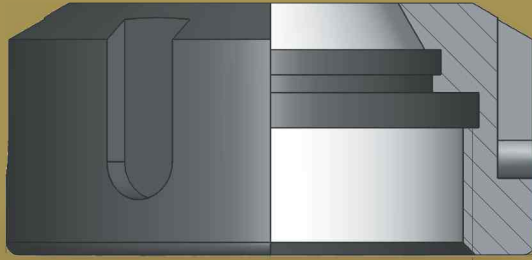


Speed of INNOVATIONS,
Feed of EXPERTISE

Accessories & Spares Parts



ACCESSORIES & SPARES PARTS



Contents

Collet - Din 6499	171-172
ER Collet - Din 6499 Nut & Spanner	173-174
Pull Stud BT MAS 403	175
Collet Chuck Holder & Mini Collet Chuck Holder.....	176
Collet Chuck Holder - Flange Through Coolant	177
Tapping Collet Chuck Holder.....	177
Side Lock Holder.....	178
HSK Side Lock Holder - Extra Length	178
Side Lock Holder - Extra Length	179
Side Lock Holder - Flange Through Coolant	180
Face Mill Holder.....	181
Short Collet Chuck Holder	181
Face Mill Holder - Through Coolant	182
Face Mill Holder - Inch	182
Combi Shell Mill Holder	183
Face Mill Holder - Flange Types.....	183
Side & Face Cutter Arbor.....	184
Morse Taper Adaptor - Threaded End	185
Reduction Adaptor.....	185
Runout Adjustable Holder - Weldon	186
Runout Adjustable Holder - Collet Chuck.....	187
Morse Taper Collet Chuck Holder -Threaded End.....	187

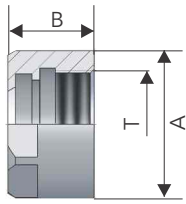


RANGE	ER 8	ER 11	ER 16	ER 20	ER 25	ER 32
1.0 - 0.5	ER.08.010	ER.11.010				
1.5 - 1.0	ER.08.015	ER.11.015				
2.0 - 1.5	ER.08.020	ER.11.020				
2.5 - 2.0	ER.08.025	ER.11.025				
3.0 - 2.5	ER.08.030	ER.11.030				
3.5 - 3.0	ER.08.035	ER.11.035				
4.0 - 3.5	ER.08.040	ER.11.040				
4.5 - 4.0	ER.08.045	ER.11.045				
5.0 - 4.5	ER.08.050	ER.11.050				
5.5 - 5.0		ER.11.055				
6.0 - 5.5		ER.11.060				
6.5 - 6.0		ER.11.065				
7.0 - 6.5		ER.11.070				
1.0 - 0.5			ER.16.010			
2 - 1			ER.16.020	ER.20.020	ER.25.020	
3 - 2			ER.16.030	ER.20.030	ER.25.030	ER.32.030
4 - 3			ER.16.040	ER.20.040	ER.25.040	ER.32.040
5 - 4			ER.16.050	ER.20.050	ER.25.050	ER.32.050
6 - 5			ER.16.060	ER.20.060	ER.25.060	ER.32.060
7 - 6			ER.16.070	ER.20.070	ER.25.070	ER.32.070
8 - 7			ER.16.080	ER.20.080	ER.25.080	ER.32.080
9-8			ER.16.090	ER.20.090	ER.25.090	ER.32.090
10 - 9			ER.16.100	ER.20.100	ER.25.100	ER.32.100
11 - 10				ER.20.110	ER.25.110	ER.32.110
12 - 11				ER.20.120	ER.25.120	ER.32.120
13 - 12				ER.20.130	ER.25.130	ER.32.130
14 - 13					ER.25.140	ER.32.140
15 - 14					ER.25.150	ER.32.150
16 - 15					ER.25.160	ER.32.160
17 - 16						ER.32.170
18 - 17						ER.32.180
19 - 18						ER.32.190
20 - 19						ER.32.200

Collet - DIN 6499

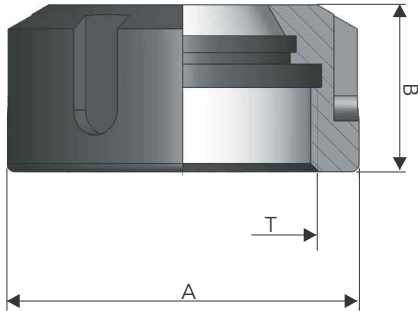


RANGE	ER 40	RANGE	RANGE
4 - 3	ER.40.040	12 - 10	ER.50.120
5-4	ER.40.050	14 - 12	ER.50.140
6-5	ER.40.060	16 - 14	ER.50.160
7 - 6	ER.40.070	18 - 16	ER.50.180
8 - 7	ER.40.080	20 - 18	ER.50.200
9-8	ER.40.090	22 - 20	ER.50.220
10 - 9	ER.40.100	24 - 22	ER.50.240
11 - 10	ER.40.110	26 - 24	ER.50.260
12 - 11	ER.40.120	28 - 26	ER.50.280
13 - 12	ER.40.130	30 - 28	ER.50.300
14 - 13	ER.40.140	32 - 30	ER.50.320
15 - 14	ER.40.150	34 - 32	ER.50.340
16 - 15	ER.40.160		
17 - 16	ER.40.170		
18 - 17	ER.40.180		
19 - 18	ER.40.190		
20 - 19	ER.40.200		
21 - 20	ER.40.210		
22 - 21	ER.40.220		
23 - 22	ER.40.230		
24 - 23	ER.40.240		
25 - 24	ER.40.250		
26 - 25	ER.40.260		



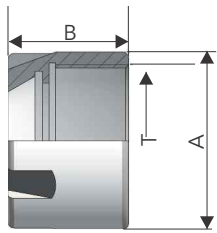
Hexagonal Nut

ORDERING CODE	A	B	T
HN.11	19	11.5	M14x0.75
HN.16	28	17.0	M22x1.50



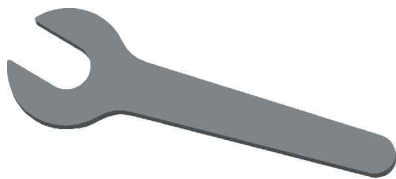
Slotted Nut

ORDERING CODE	A	B	T
SN.20	34	19.0	M25x1.50
SN.25	42	20.0	M32x1.50
SN.32	50	22.0	M40x1.50
SN.40	63	25.0	M50x1.50
SN.50	78	35.0	M64x1.50



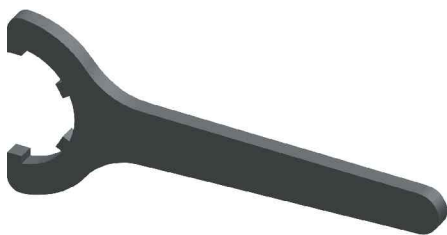
Mini Nut

ORDERING CODE	A	B	T
MN.16	22	17.0	M19x1.0
MN.20	28	19.0	M24x1.0
MN.25	35	20.0	M30x1.0



Spanner For Hexagonal Nut

ORDERING CODE
SHN.11
SHN.16



Spanner For Slotted Nut

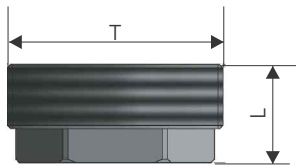
ORDERING CODE
SSN.20
SSN.25
SSN.32
SSN.40
SSN.50

ER Collet - DIN 6499 Nut & Spanner



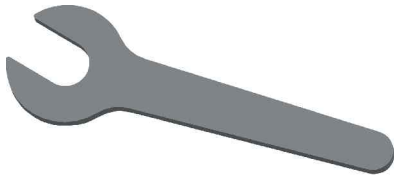
Spanner For Mini Nut

ORDERING CODE
SMN.16
SMN.20
SMN.25



Short Collet Nut & Spanner

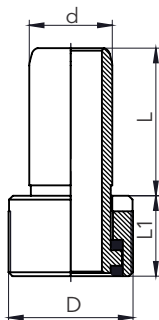
ORDERING CODE	T	L
SCN.20	M32xl.5	14.5
SCN.32	M40xl.5	16
SCN. 40	M50x 1.5	20



Short Collet Spanner

ORDERING CODE
SSC.20
SSC.32
SSC.40

HSK Accessories



Coolant Tube

ORDERING CODE	TAPER HSK	D	d	L	L1
CT10.050	50	M16xl	10	32.9	9.6
CT12.063	63	M18xl	12	36.2	11.5
CT16.100	100	M24xl.5	16	43.6	15.7



Spanner for Coolant Tube

ORDERING CODE
SCT.050
SCT.063
SCT.100

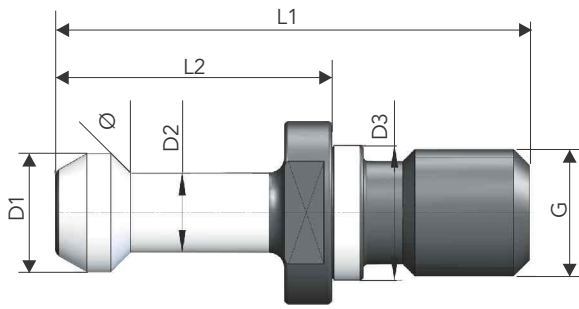


Fig-1

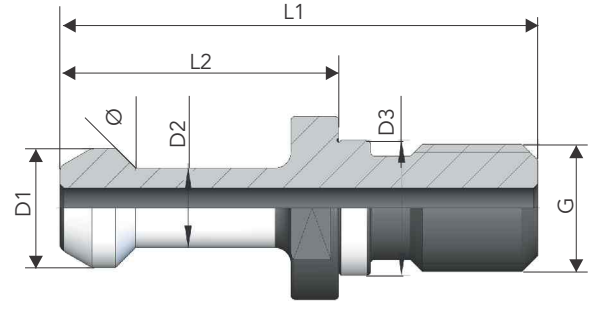
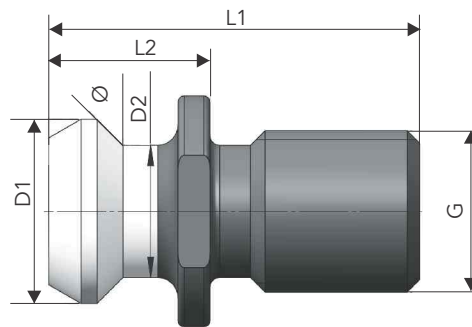


Fig-2

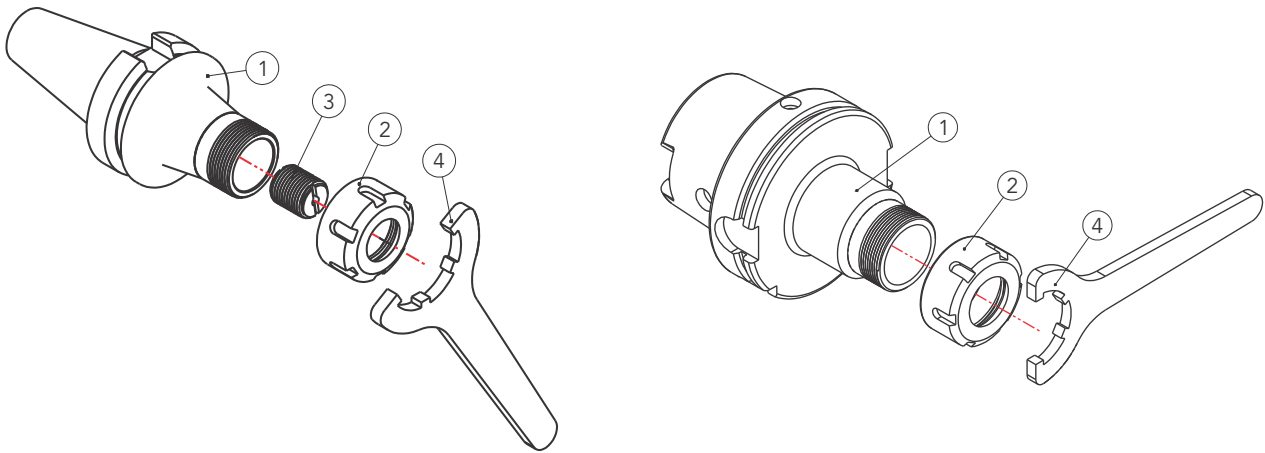
ORDERING CODE	TAPPER	G	D1	D2	D3	L2	L1	Ø	FIG
BTPS.30.45	30	M12	11	7	12.5	23	43	45	1
BTPS.30.45TC	30	M12	11	7	12.5	23	43	45	2
BTPS.30.30	30	M12	11	7	12.5	23	43	30	1
BTPS.30.30TC	30	M12	11	7	12.5	23	43	30	2
BTPS.40.45	40	M16	15	10	17	35	60	45	1
BTPS.40.45TC	40	M16	15	10	17	35	60	45	2
BTPS.40.30	40	M16	15	10	17	35	60	30	1
BTPS.40.30TC	40	M16	15	10	17	35	60	30	2
BTPS.40.0	40	M16	15	10	17	35	60	0	1
BTPS.40.0TC	40	M16	15	10	17	35	60	0	2
BTPS.50.45	50	M24	23	17	25	45	85	45	1
BTPS.50.45TC	50	M24	23	17	25	45	85	45	2
BTPS.50.30	50	M24	23	17	25	45	85	30	1
BTPS.50.30TC	50	M24	23	17	25	45	85	30	2
BTPS.50.0	50	M24	23	17	25	45	85	0	1
BTPS.50.0TC	50	M24	23	17	25	45	85	0	2

Pull Stud - BT MAS 403



ORDERING CODE	TAPPER	G	D1	D2	L2	L1	Ø
CATPS.40.45	40	5/8-11"	0.74	0.49	0.64	1.5	45
CATPS.50.45	50	1-8"	1.14	0.82	1	2.3	45

Collet Chuck Holder Spare Parts

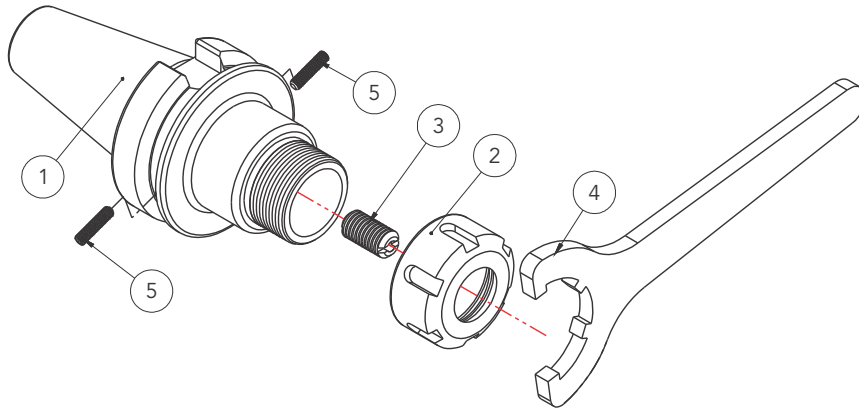


ORDERING CODE	2	3	4
	COLLECT NUT	STOPPER SCREW	SPANNER
BT/HSK..ER16..	SN.16	SS.06.14	SSN.16
BT/HSK..ER20..	SN.20	SS.06.18	SSN.20
BT/HSK..ER25..	SN.25	SS.06.22	SSN.25
BT/HSK..ER32..	SN.32	SS.06.28	SSN.32
BT/HSK..ER40..	SN.40	SS.06.28	SSN.40
BT/HSK..ER50..	SN.50	SS.06.28	SSN.50

For Mini Collet Chuck Holder

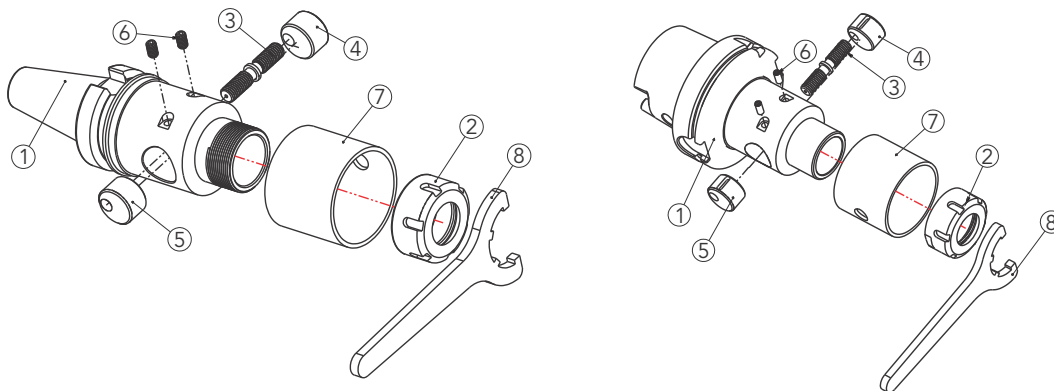
ORDERING CODE	2	3	4
	COLLECT NUT	STOPPER SCREW	SPANNER
BT/HSK..ER16..M	SN.16	SS.06.716	SSN.16
BT/HSK..ER20..M	SN.20	SS.06.14	SSN.20
BT/HSK..ER25..M	SN..25	SS.06.18	SSN.25

Collet Chuck Holder Flange Through Coolant Spare Parts



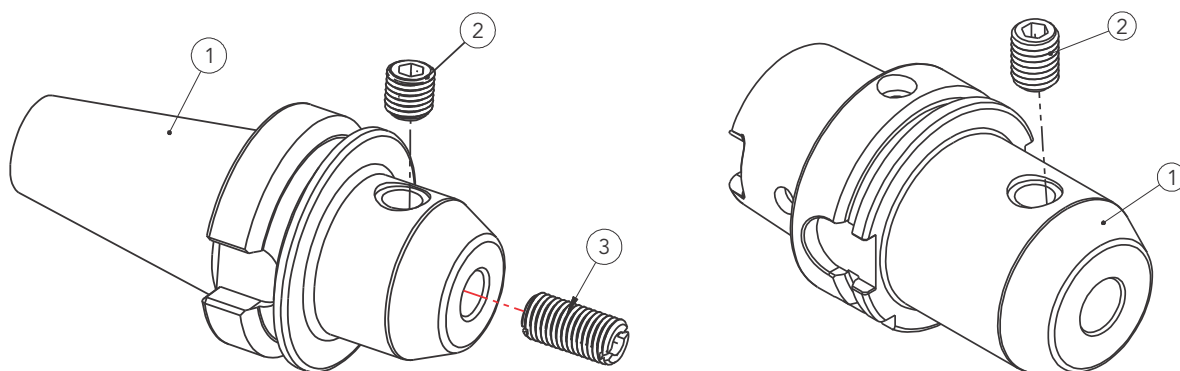
ORDERING CODE	2	3	4	5
	COLLECT NUT	STOPPER SCREW	SPANNER	GRUB SCREW
BT..ER16..FTC	SN.16	SS.06.716	SSN.16	GS.03.415
BT..ER20..FTC	SN.20	SS.06.14	SSN.20	GS.03.415
BT..ER25..FTC	SN.25	SS.06.18	SSN.25	GS.03.415
BT..ER32..FTC	SN.32	SS.06.22	SSN.32	GS.03.415
BT..ER40..FTC	SN.40	SS.06.28	SSN.40	GS.03.415
BT..ER50..FTC	SN.50	SS.06.28	SSN.50	GS.03.415
BT..ER16..FTC	SN.16	SS.06.716	SSN.16	GS.03.608
BT..ER20..FTC	SN.20	SS.06.14	SSN.20	GS.03.608
BT..ER25..FTC	SN.25	SS.06.18	SSN.25	GS.03.608
BT..ER32..FTC	SN.32	SS.06.22	SSN.32	GS.03.608
BT..ER40..FTC	SN.40	SS.06.28	SSN.40	GS.03.608
BT..ER50..FTC	SN.50	SS.06.28	SSN.50	GS.03.608

Tapping Collet Chuck Holder



ORDERING CODE	2	3	4	5	6	7	8
	COLLECT NUT	STUD-LH&RH	SLIDING RING-RH	SLIDING RING-LH	GRUB SCREW	OUTER BUSH	SPANNER
BT/HSK..ER 32TCCH..	SN.32	STUR.R.22.10	S RING.R.24.10	S RING.L.24.10	GS.03.610	OB.23.01	SSN.32

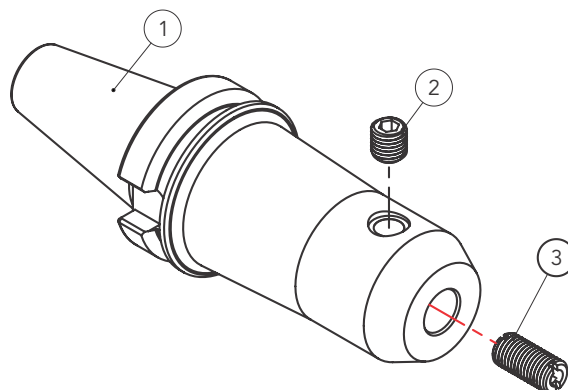
Side Lock Holder - Spare Parts



ORDERING CODE	2	3
	GRUB SCREW	STOPPER SCREW
BT..SLH08..AD	GS.03.808	-
BT..SLH10..AD	GS.03.1010	-
BT..SLH12..AD	GS.03.1212	-
BT..SLH16..AD	GS.03.1416	SS.06.12
BT..SLH20..AD	GS.03.1616	SS.06.12
BT..SLH25..AD	GS.03.1820	SS.06.12
BT..SLH32..AD	GS.03.2020	SS.06.12
BT..SLH40..AD	GS.03.2020	SS.06.12
BT..SLH50..AD	GS.03.2020	SS.06.12

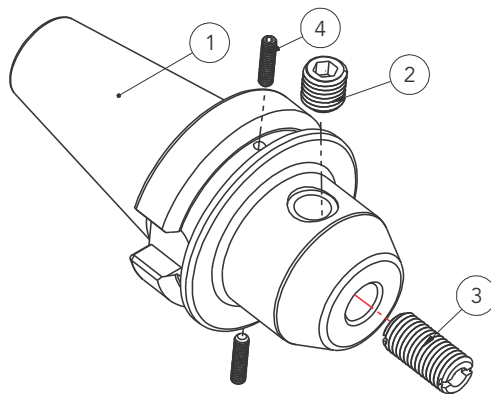
HSK Side Lock Holder - Extra Length

ORDERING CODE	2	3
	GRUB SCREW	STOPPER SCREW
HSK..SLH08..	GS.03.808	-
HSK..SLH10..	GS.03.810	-
HSK..SLH12..	GS.03.1010	-
HSK..SLH16..	GS.03.1010	SS.06.12
HSK..SLH20..	GS.03.1010	SS.06.12
HSK..SLH25..	GS.03.1620	SS.06.12
HSK..SLH32..	GS.03.1620	SS.06.12
HSK..SLH40..	GS.03.1620	SS.06.12
HSK..SLH50..	GS.03.1620	SS.06.12

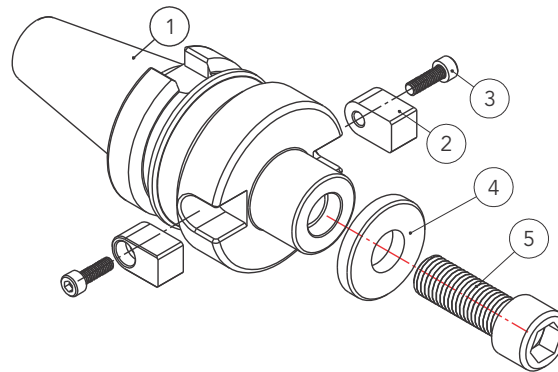


ORDERING CODE	2	3
	GRUB SCREW	STOPPER SCREW
BT40SLH08.125AD	GS.03.808	-
BT40SLH10.125AD	GS.03.808	-
BT40SLH12.125AD	GS.03.1010	-
BT40SLH16.125AD	GS.03.1010	SC.06.12
BT40SLH20.125AD	GS.03.1010	SC.06.12
BT40SLH25.125AD	GS.03.1010	SC.06.12
BT40SLH32.125AD	GS.03.1010	SC.06.12
BT40SLH40.125AD	GS.03.1212	SC.06.12
BT50SLH08.150AD	GS.03.808	-
BT50SLH10.150AD	GS.03.808	-
BT50SLH12.150AD	GS.03.1010	-
BT50SLH16.150AD	GS.03.1010	SC.06.12
BT50SLH20.160AD	GS.03.1010	SC.06.12
BT50SLH25.160AD	GS.03.1010	SC.06.12
BT50SLH32.160AD	GS.03.1010	SC.06.12
BT50SLH40.160AD	GS.03.1212	SC.06.12

Side Lock Holder - Flange Through Coolant Spare Parts

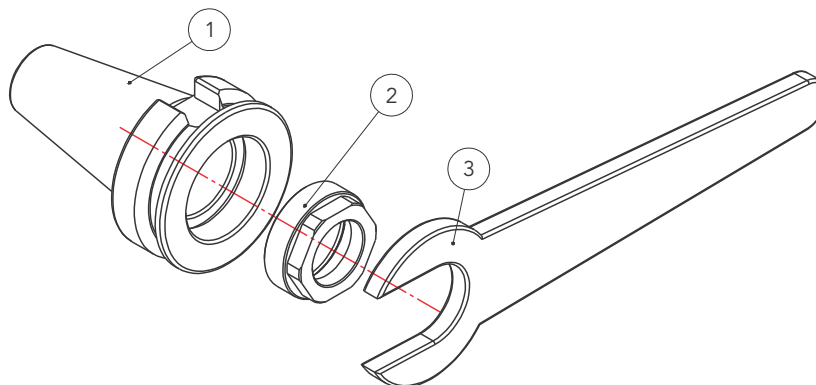


ORDERING CODE	2	3	4
	GRUB SCREW	STOPPER SCREW	GRUB SCREW
BT40SLH16.65FTC	GS.03.1012	SS.06.12	GS.03.415
BT40SLH20.90FTC	GS.03.1012	SS.06.12	GS.03.415
BT40SLH25.90FTC	GS.03.1212	SS.06.12	GS.03.415
BT40SLH32.90FTC	GS.03.1212	SS.06.12	GS.03.415
BT40SLH40.90FTC	GS.03.1212	SS.06.12	GS.03.415
BT40SLH50.90FTC	GS.03.1212	SS.06.12	GS.03.415
BT50SLH08.70FTC	GS.03.808	-	GS.03.608
BT50SLH10.70FTC	GS.03.1010	-	GS.03.608
BT50SLH12.80FTC	GS.03.1212	-	GS.03.608
BT50SLH16.80FTC	GS.03.1416	SS.06.12	GS.03.608
BT50SLH20.80FTC	GS.03.1616	SS.06.12	GS.03.608
BT50SLH25.105FTC	GS.03.1820	SS.06.12	GS.03.608
BT50SLH32.105FTC	GS.03.2020	SS.06.12	GS.03.608
BT50SLH40.120FTC	GS.03.2020	SS.06.12	GS.03.608
BT50SLH50125FTC	GS.03.2020	SS.06.12	GS.03.608



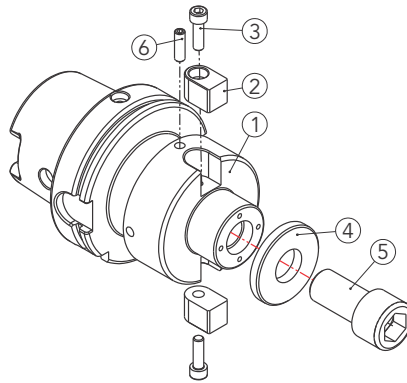
ORDERING CODE	2	3	4	5
	DRIVING KEY	ALLEN SCREW	WASHER	ALLEN SCREW
BT..FMH16..A	D KEY.16	AS.01.408	WSHR.08.16	AS.01.825
BT..FMH22..A	D KEY.22	AS.01.412	WSHR.10.22	AS.01.1025
BT..FMH27..A	D KEY.27	AS.01.412	WSHR.12.27	AS.01.1225
BT..FMH32..A	D KEY.32	AS.01.516	WSHR.16.32	AS.01.1630
BT..FMH40..A	D KEY.40	AS.01.616	WSHR.20.40	AS.01.2035

Short Collet Chuck Holder-Spare Parts



ORDERING CODE	2	3
	SHORT COLLET NUT	SHORT COLLET SPANNER
BT30ER20CCH.29	SCN.20	SSC.20
BT40ER32CCH.35	SCN.32	SSC.32
BT50ER40CCH.45	SCN.40	SSC.40

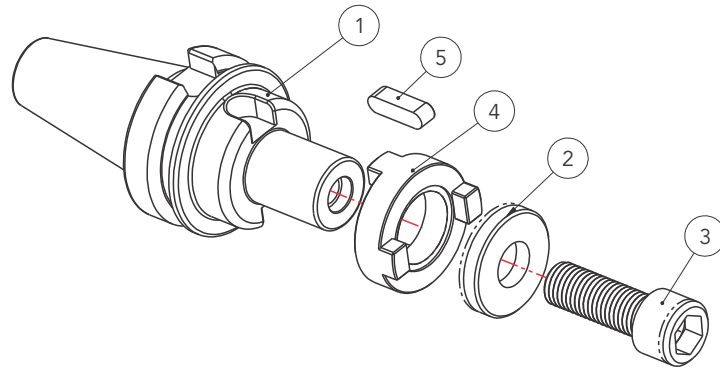
Face Mill Holder - Through Coolant Spare Parts



ORDERING CODE	2	3	4	5	6
	DRIVING KEY	ALLEN SCREW	WASHER	ALLEN SCREW	GRUB SCREW
HSKA..FMH16..100TC	D KEY.16	AS.01.408	WSHR.08.16	AS.01.825	GS.03.405
HSKA..FMH22..100TC	D KEY.22	AS.01.412	WSHR.10.22	AS.01.1025	GS.03.410
HSKA..FMH27..100TC	D KEY.27	AS.01.412	WSHR.12.27	AS.01.1225	GS.03.410
HSKA..FMH32..100TC	D KEY.32	AS.01.516	WSHR.16.32	AS.01.1630	GS.03.410
HSKA..FMH40..100TC	D KEY.40	AS.01.616	WSHR.20.40	AS.01.2035	GS.03.410

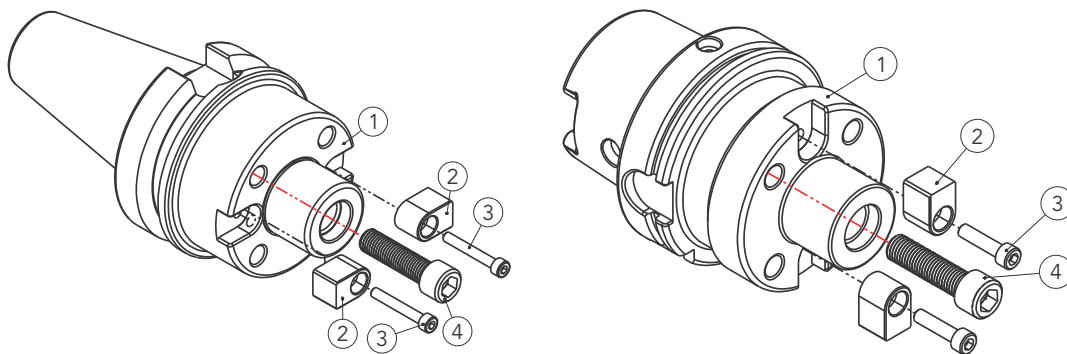
Face Mill Holder - Inch

ORDERING CODE	2	3	4	5
	DRIVING KEY	ALLEN SCREW	WASHER	ALLEN SCREW
BT..FMH1905..	D KEY.1905	AS.01.412	WSHR.08.16	AS.01.1030
BT..FMH0254..	D KEY.0254	AS.01.412	WSHR.10.22	AS.01.1230
BT..FMH3175..	D KEY.3175	AS.01.512	WSHR.12.27	AS.01.1640
BT..FMH0381..	D KEY.0381	AS.01.612	WSHR.16.32	AS.01.2050



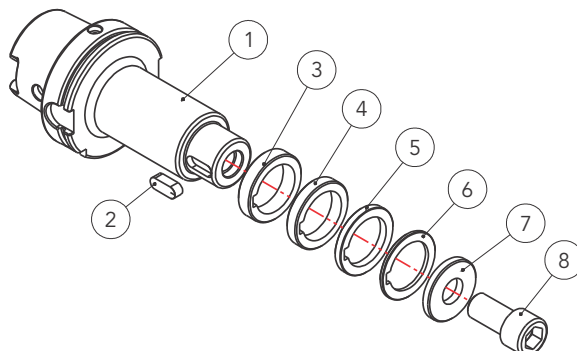
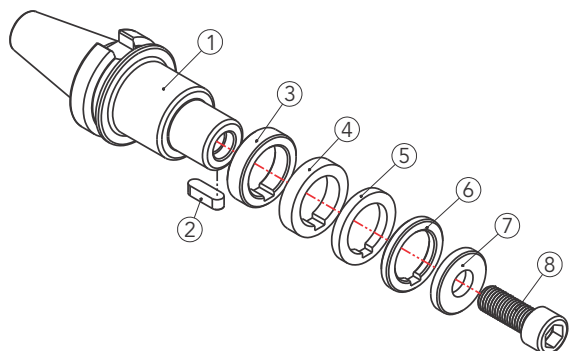
ORDERING CODE	2	3	4	5
	WASHER	ALLEN SCREW	DRIVE RING	PARALLEL KEY
BT..CSMH16..	WSHR.08.16	AS.01.825	D RING.16	P KEY.04.20
BT..CSMH22..	WSHR.10.22	AS.01.1025	D RING.22	P KEY.06.25
BT..CSMH27..	WSHR.12.27	AS.01.1225	D RING.27	P KEY.07.25
BT..CSMH32..	WSHR.16.32	AS.01.1630	D RING.32	P KEY.08.28
BT..CSMH40..	WSHR.20.40	AS.01.2035	D RING.40	P KEY.10.32

Face Mill Holder - Flange Type Spare Parts



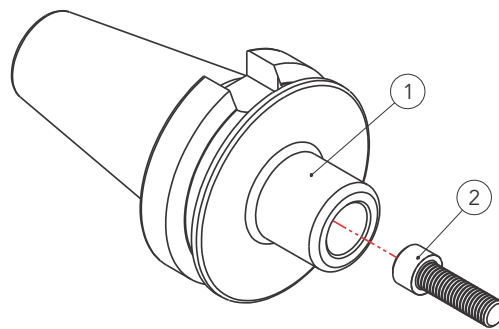
ORDERING CODE	2	3	4
	DRIVING KEY	ALLEN SCREW	ALLEN SCREW
BT/HSK..FMH40..FT	D KEY.40.11	AS.01.616	AS.01.1240
BT/HSK..FMH60..FT	D KEY.60.00	AS.01.825	AS.01.1640

Side & Face Cutter Arbor Spare Parts



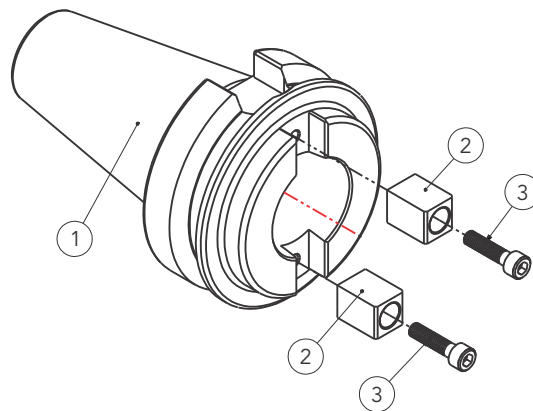
ORDERING CODE	2	3	4	5
	PARALLEL KEY	SPACER	SPACER	SPACER
BT/HSK..SFCA16..	P KEY.04.26	SPCR.16.12	SPCR.16.10	SPCR.16.06
BT/HSK..SFCA22..	P KEY.06.26	SPCR.22.12	SPCR.22.10	SPCR.22.06
BT/HSK..SFCA27..	P KEY.07.26	SPCR.27.12	SPCR.27.10	SPCR.27.06
BT/HSK..SFCA32..	P KEY.08.26	SPCR.32.12	SPCR.32.10	SPCR.32.06
BT/HSK..SFCA40..	P KEY.10.26	SPCR.40.12	SPCR.40.10	SPCR.40.06

ORDERING CODE	6	7	8
	PARALLEL KEY	WASHER	ALLEN SCREW
BT/HSK..SFCA16..	P KEY.16.03	WSHR.08.16	AS.01.825
BT/HSK..SFCA22..	P KEY.22.03	WSHR.10.22	AS.01.1025
BT/HSK..SFCA27..	P KEY.27.03	WSHR.12.27	AS.01.1225
BT/HSK..SFCA32..	P KEY.32.03	WSHR.16.32	AS.01.1630
BT/HSK..SFCA40..	P KEY.40.03	WSHR.20.40	AS.01.2035



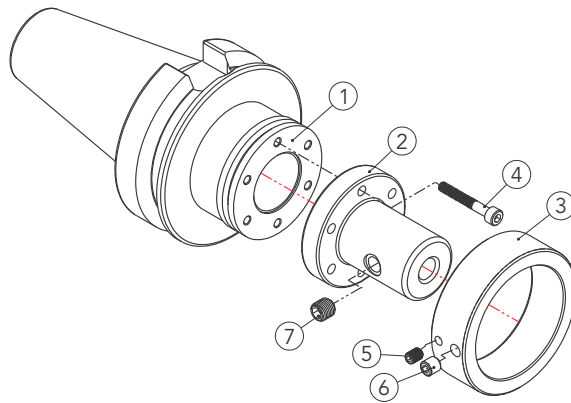
ORDERING CODE	2
	ALLEN SCREW
BT..MT1M06..	AS.01.6
BT..MT2M10..	AS.01.10
BT..MT3M12..	AS.01.12
BT..MT4M16..	AS.01.16

Reduction Adaptor



ORDERING CODE	2	3
	KEY	ALLEN SCREW
BT..RA BT30..	KEY.34.000	AS.01.625
BT..RA BT40..	KEY.34.000	AS.01.625

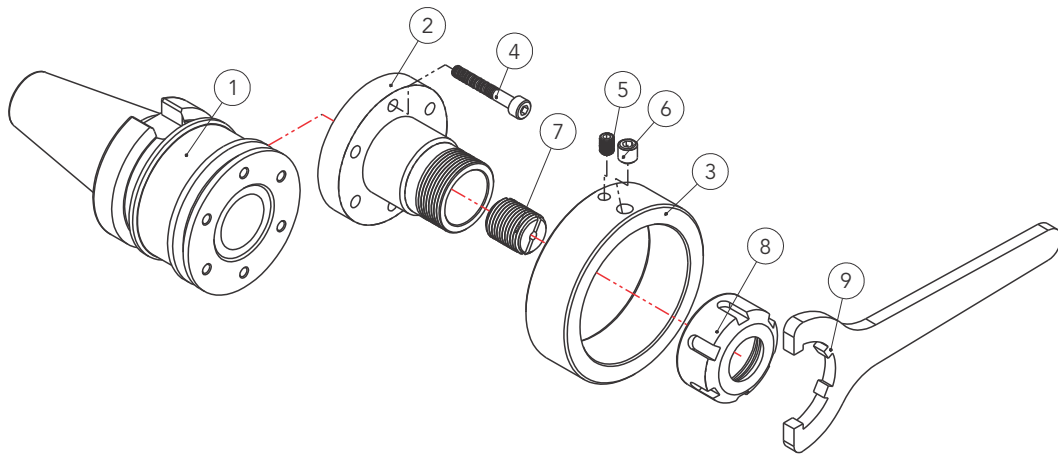
Runout Adjustable Holder - Weldon Spare Parts



ORDERING CODE	2	3	4	5
	END MILL ADAPTOR	ADJUSTING RING	ALLEN SCREW	SET SCREW 1
BT..RAH12..	EMA.31.812	A RING.33.802	AS.01.530	SET S.03.610
BT..RAH16..	EMA.31.816	A RING.33.802	AS.01.530	SET S.03.610
BT..RAH20..	EMA.31.820	A RING.33.802	AS.01.530	SET S.03.610
BT..RAH25..	EMA.31.825	A RING.33.802	AS.01.530	SET S.03.610
BT..RAH32..	EMA.31.132	A RING.33.103	AS.01.835	SET S.03.810
BT..RAH40..	EMA.31.140	A RING.33.103	AS.01.835	SET S.03.810

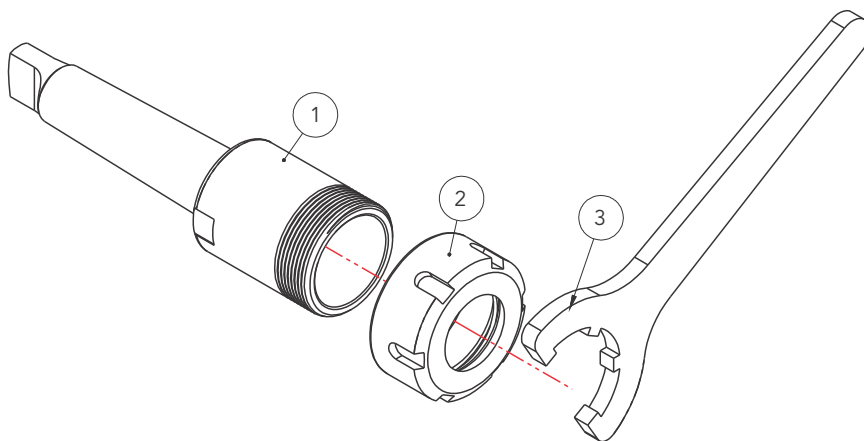
ORDERING CODE	6	7
	SET SCREW 2	GRUB SCREW
BT..RAH12..	SET S.03.808	GS.03.1012
BT..RAH16..	SET S.03.808	GS.03.1014
BT..RAH20..	SET S.03.808	GS.03.1010
BT..RAH25..	SET S.03.808	GS.03.1010
BT..RAH32..	SET S.03.810	GS.03.12.14
BT..RAH40..	SET S.03.810	GS.03.1212

Runout Adjustable Holder - Collet Chuck Spare Parts



ORDERING CODE	2	3	4	5
	COLLET CHUCK ADAPTOR	ADJUSTING RING	ALLEN SCREW	SET SCREW 1
BT..RAHER25.625	CCA.32.625	A RING.33.601	AS.01.525	SET.S.03.608
BT..RAHER25.825	CCA.32.825	A RING.33.802	AS.01.530	SET.S.03.610

Morse Taper Collet Chuck Holder Tanged End



ORDERING CODE	6	7	8	9
	SEW SCREW 2	STOPPER SCREW	COLLET NUT	SPANNER
BT..RAHER25.625	CCA.03.806	SS.06.18	SN.25	SSN.25
BT..RAHER25.825	CCA.03.806	SS.06.18	SN.25	SSN.25



An ISO 9001-2008 and ISO 14001-2004 Company

www.sigmatoolings.com